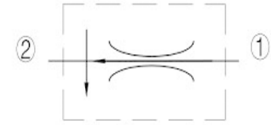
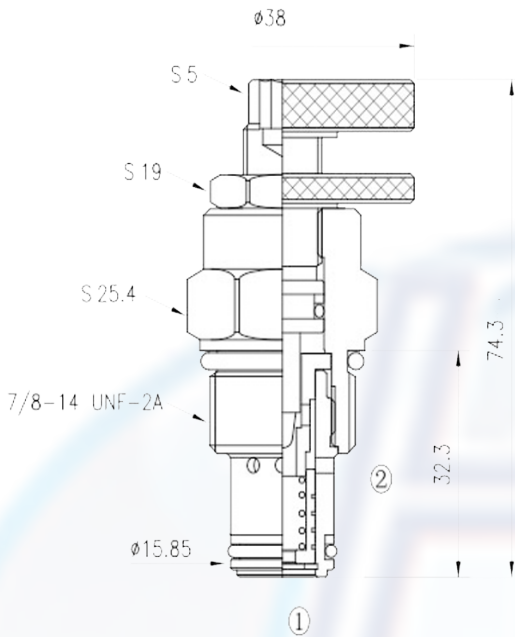


# FR2 - 10

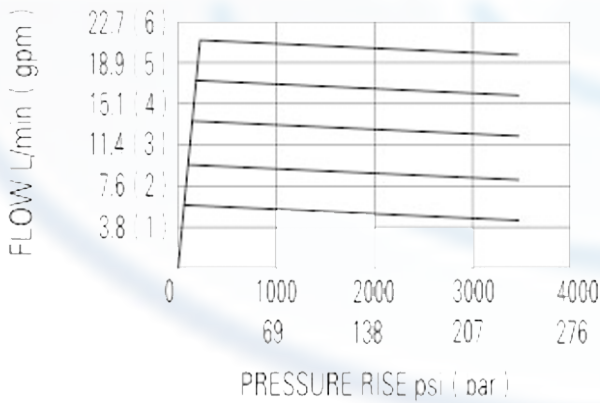


**SPECIFICATION:**

- Max working pressure: 250bar
- Flow settings: 0.85 ~ 20.5L/min
- Filtration of oil: 25m or better
- Temperature: -30 ~ +110°C
- Cavity: 10 - 2
- Installatin torque: 34 ~ 37Nm

**PERFORMANCE**

32 cST Oil/45°C



Pump the flow of the pump at 1, the transfer excess flow to the by-pass 2. The flow remaining from 3 remains constant. It is not affected by the change of load pressure between the 3 downstream loops the by-pass 2. the valve core keeps the pressure difference of 5.8bar at the fixed orifice, and regulates the flow rate from 1 to 3.

to order:

FR2 - 10 -

Regulator pressure-compensated valves

Cavity

Hand wheel.  
(Omit for standard)