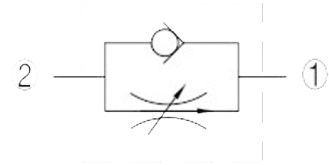
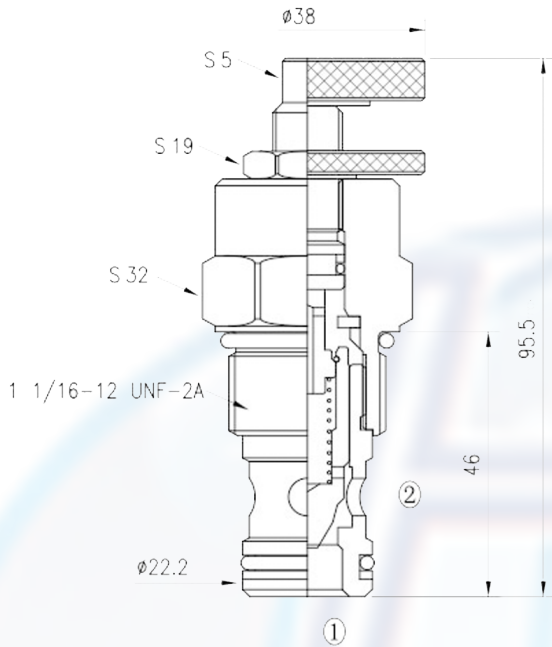




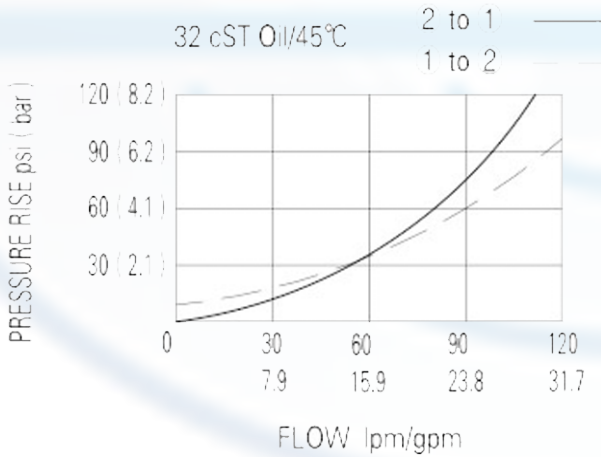
FC - 12



SPECIFICATION:

- Max working pressure: 240bar
- Flow max: see performant chart
- Internal leakage: 5 drops/min
- Filtration of oil: 25m or better
- Temperature: -30 ~ +110°C
- Cavity: 10 - 2
- Installatin torque: 45 ~ 50Nm

PERFORMANCE



The valve varies flow restriction by adjusting needle in or out.
 flow is metered from 2 to 1. free reverse flow is from 1 to 2

to order:

Adjustable restriction valves with reverse flow check

Cavity

FC - 12 -

M = hand wheel. (Omit for standard).