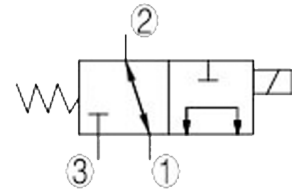
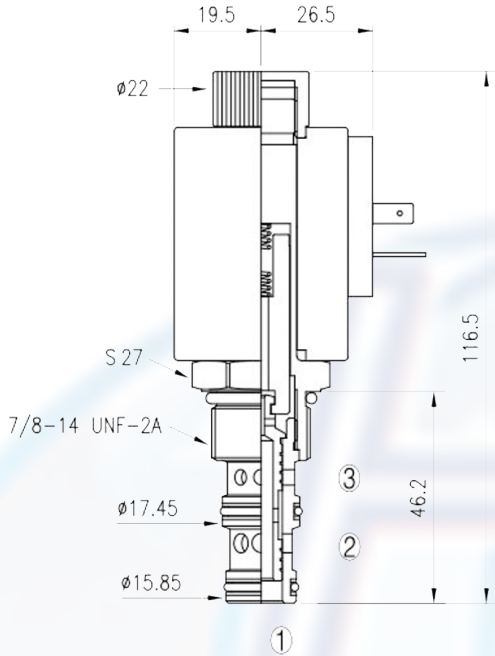




# SV2 - 10 - 3

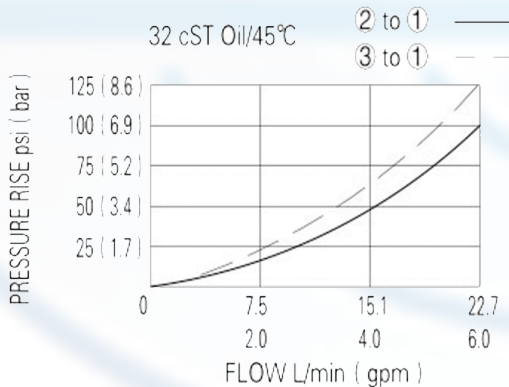


### SPECIFICATION:

- Max working pressure: 210bar
- Flow max: see performant chart
- Internal leakage: <82cc/min / 210bar
- Filtration of oil: 25m or better
- Temperature: -30 ~ +110°C
- Cavity: 10 - 3
- Installatin torque: 25 ~ 28Nm
- Coil rating: 85% ~110%

Continuous from 85% to 110% of rated voltage

### PERFORMANCE



When de-energized, the valve allows flow from 2 to 1, while blocking flow at 3; when energized, the valve allows flow from 3 to 1, while blocking flow at 2.

to order:

SV2 - 10 - 3 -  -

cavity \_\_\_\_\_

function \_\_\_\_\_

coil connection:  
D = Double Lead  
H = Hirschmann

voltage:  
12 = 12V DC  
24 = 24V DC  
110 = 110V AC  
220 = 220V AC