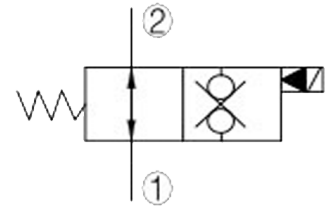
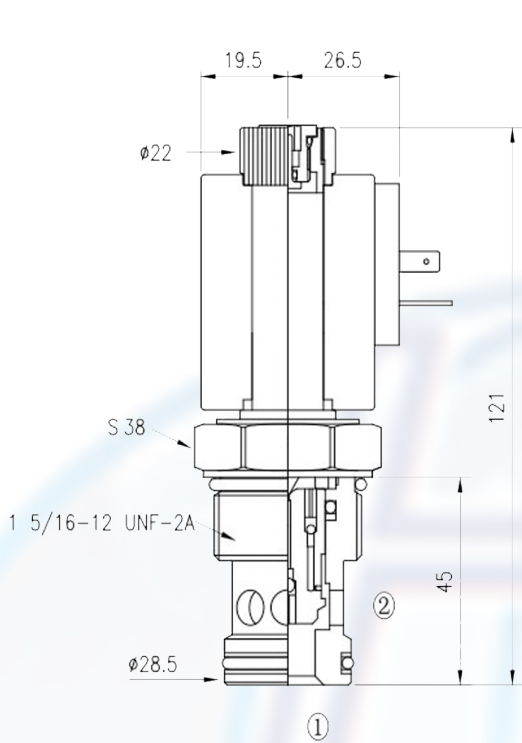




# SV6 - 16 - 2NOSP - M

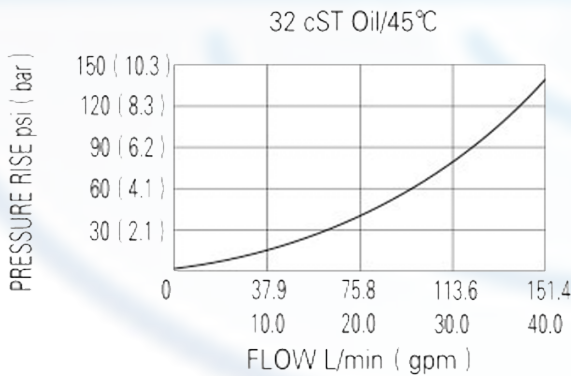


### SPECIFICATION:

- Max working pressure: 250bar
- Flow max: see performant chart
- Internal leakage: 3 drops/min / 210bar
- Filtration of oil: 25m or better
- Temperature: -30 ~ +110°C
- Cavity: 16 - 2
- Installatin: 65 ~ 70Nm
- Coil rating: 85% ~110%

Continuous from 85% to 110% of rated voltage

### PERFORMANCE



When energized, the valve blocks flow in both directions.  
 when de-energized, allowing flow from 2 to 1 and 1 to 2.

to order: SV6 - 16 - 2NOSP - M -

cavity

function

Manual Override



coil connection:

D = Double Lead  
 H = Hirschmann

voltage:

- 12 = 12V DC
- 24 = 24V DC
- 110 = 110V AC
- 220 = 220V AC