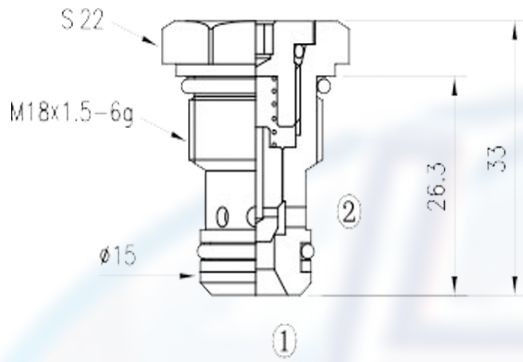
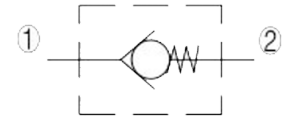


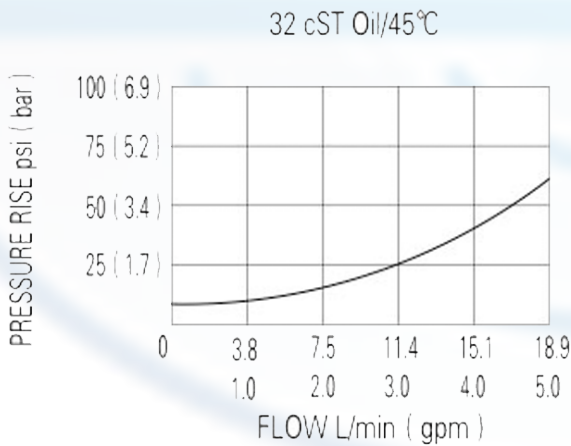
CV - 04 - P



SPECIFICATION:

| | |
|-----------------------|----------------------|
| Max working pressure: | 250bar |
| Flow max: | see performant chart |
| Internal leakage: | 3 drops/min / 250bar |
| Filtration of oil: | 25m or better |
| Temperature: | -30 ~ +110°C |
| Cavity: | 04C - 2 |
| Installatin torque: | 25 ~ 28Nm |

PERFORMANCE



Pressure at 1 overcomes the spring-bias ball and allows free flow 1 to 2.

Flow in the opposite direction, from 2 to 1, is blocked by the ball

to order:

