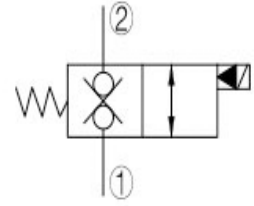
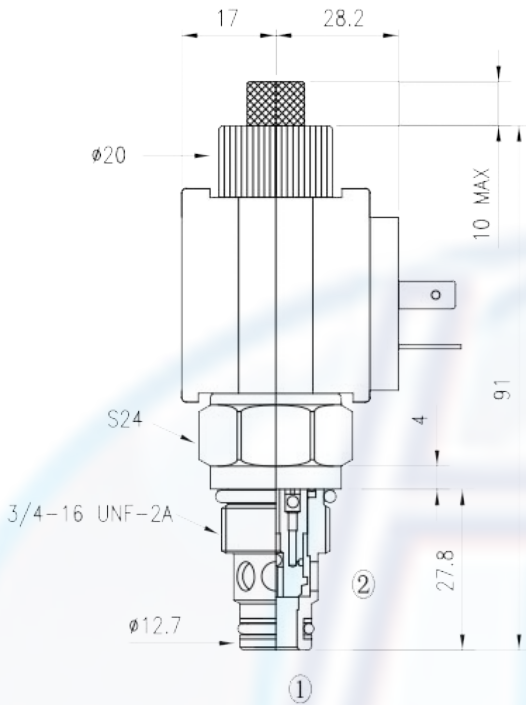




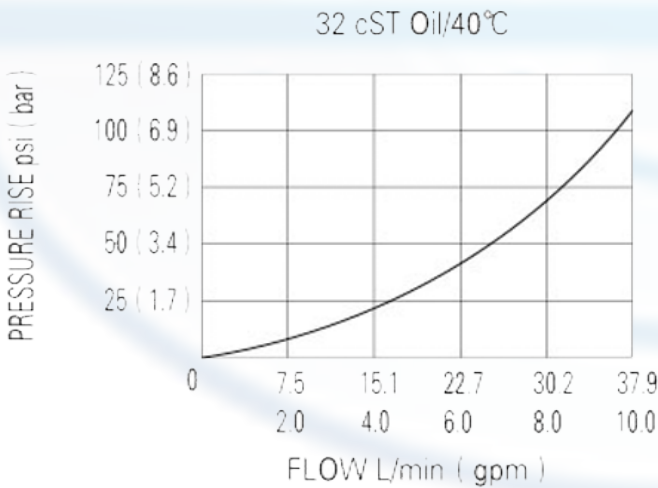
SV6 - 08 - 2NCSP - M



SPECIFICATION:

- Max working pressure: 250bar
- Flow max: see performant chart
- Internal leakage: 3 drops/min / 210bar
- Filtration of oil: 25m or better
- Temperature: -30 ~ +100°C
- Cavity: 08 - 2
- Installatin: 34 ~ 37Nm
- Coil rating: 85% ~110%
- Continuous from 85% to 110% of rated voltage

PERFORMANCE



When de-energized, the valve blocks flow in both direction.
 When energized, allowing flow from 2 to 1 and 1 to 2

to order:

SV6 - 08 - 2NCSP - M - -

cavity

function

Manual override

voltage:

- 12 = 12V DC
- 24 = 24V DC
- 110 = 110V AC
- 220 = 220V AC

coil connection:

- C = cylindrical
- S = square