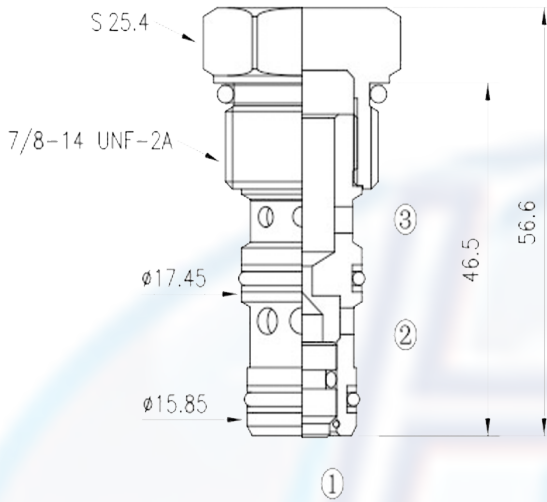
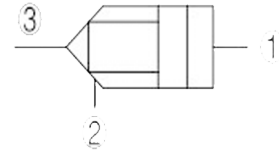




PC5 - 10

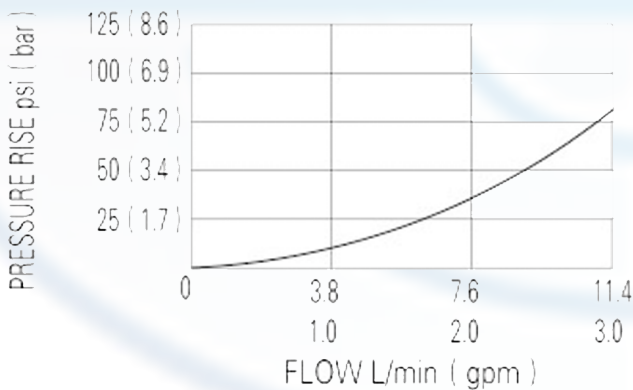


SPECIFICATION:

- Max working pressure: 250bar
- Flow max: see performant chart
- Internal leakage: 5 drops/min / 250bar
- Filtration of oil: 25m or better
- Temperature: -30 ~ +110°C
- Cavity: 10 - 3
- Installatin torque: 34 ~ 37Nm

PERFORMANCE

32 cST Oil/45°C



In a normal state, the valve allowing flow from 3 to 2 ports;
 When 1 port pressure is one-eleven of the 3 port, the valve blocking flow from 3 to 2 and 2 to 3 ports.

to order:

PC5 - 10 -

Hydraulic oprated check valves

Cavity

Hydraulic operat-ed ratio:

06 = 6.2 : 1

11 = 11 :1 standard