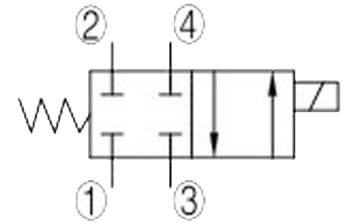
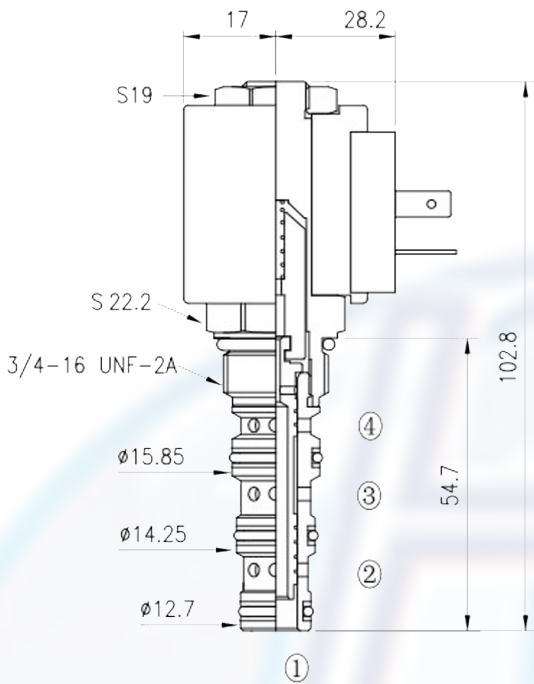




SV2 - 08 - 4NC

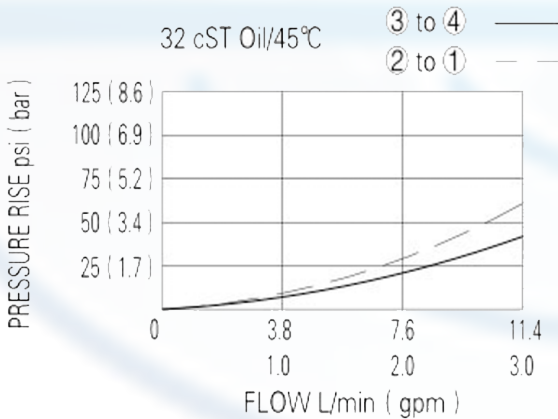


SPECIFICATION:

- Max working pressure: 210bar
- Flow max: see performant chart
- Internal leakage: <82cc/min / 210bar
- Filtration of oil: 25m or better
- Temperature: -30 ~ +110°C
- Cavity: 08 - 4
- Installatin torque: 25 ~ 28Nm
- Coil rating: 85% ~110%

Continuous from 85% to 110% of rated voltage

PERFORMANCE



When de-energized, the valve flows paths are blocked;
 when energized, the cartrige's spool shifts and allows flow from 3 to 4 and from 2 to 1.

to order:

SV2 - 08 - 4NC - -

cavity _____
 function _____

voltage:

- 12 = 12V DC
- 24 = 24V DC
- 110 = 110V AC
- 220 = 220V AC

coil connection:

- D = Double Lead
- H = Hirschmann