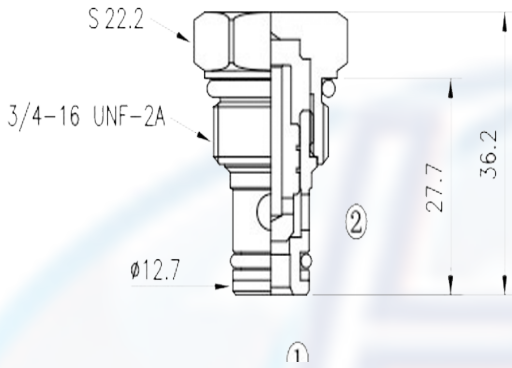
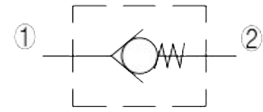




CV - 08 - P

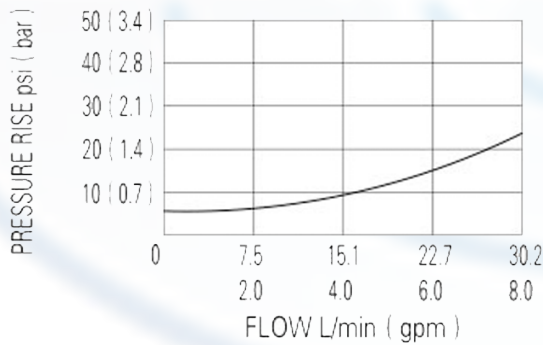


SPECIFICATION:

Max working pressure:	250bar
Flow max:	see performant chart
Internal leakage:	3 drops/min / 250bar
Filtration of oil:	25m or better
Temperature:	-30 ~ +110°C
Cavity:	08 - 2
Installatin torque:	25 ~ 28Nm

PERFORMANCE

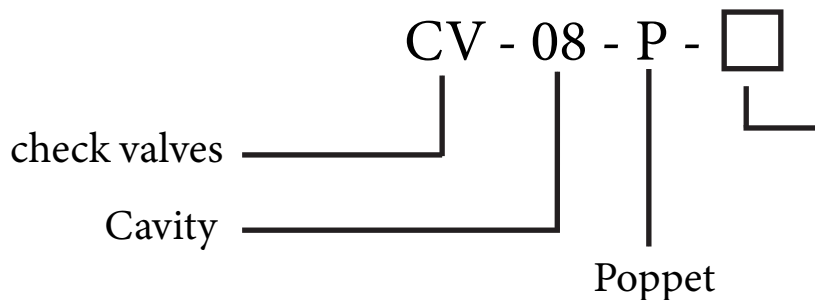
32 cST Oil/45°C



Pressure at 1 overcomes the spring-bias ball and allows free flow 1 to 2.

Flow in the opposite direction, from 2 to 1, is blocked by the ball

to order:



Crack pressure:
 0.6 = 0.6 bar
 2.0 = 2.0 bar
 3.6 = 3.6 bar