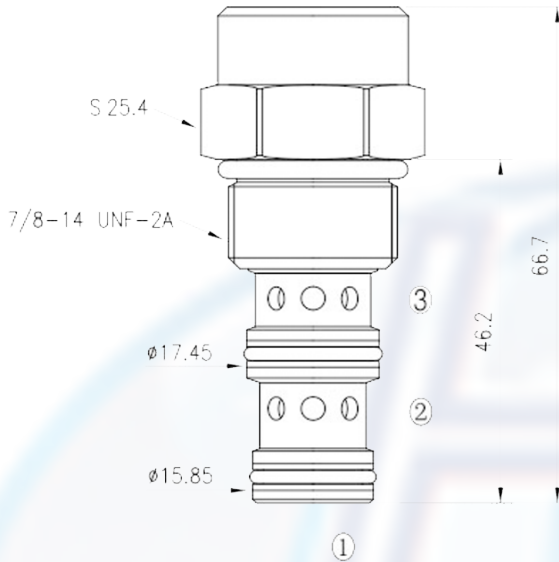
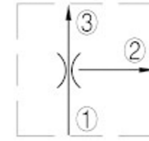




FR - 10 - 3F

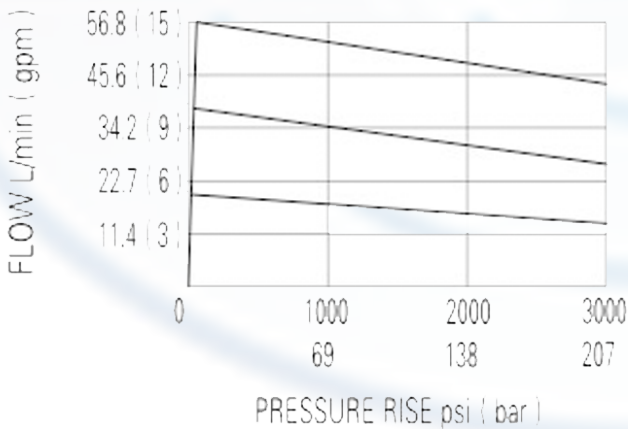


SPECIFICATION:

- Max working pressure: 207bar
- Flow settings: 0.4 ~ 22.7L/min
- Filtration of oil: 25m or better
- Temperature: -30 ~ +110°C
- Cavity: 10 - 3
- Installatin torque: 34 ~ 37Nm

PERFORMANCE

32 cST Oil/45°C



Pump the flow of the pump at 1, the transfer excess flow to the by-pass 2. The flow remaining from 3 remains constant. It is not affected by the change of load pressure between the 3 downstream loops the by-pass 2. the valve core keeps the pressure difference of 5.8bar at the fixed orifice, and regulates the flow rate from 1 to 3.

to order:

FR - 10 - 3F

Cavity

Function



FLOW MAINTENANCE:

0.4 to 22.7 L/min settings \pm 15% specify, for example:
 M2.5 = 2.5L/min
 M 7.0 = 7.0L/min
 etc.