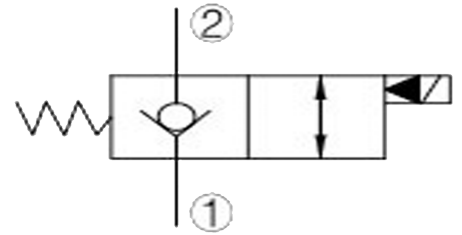
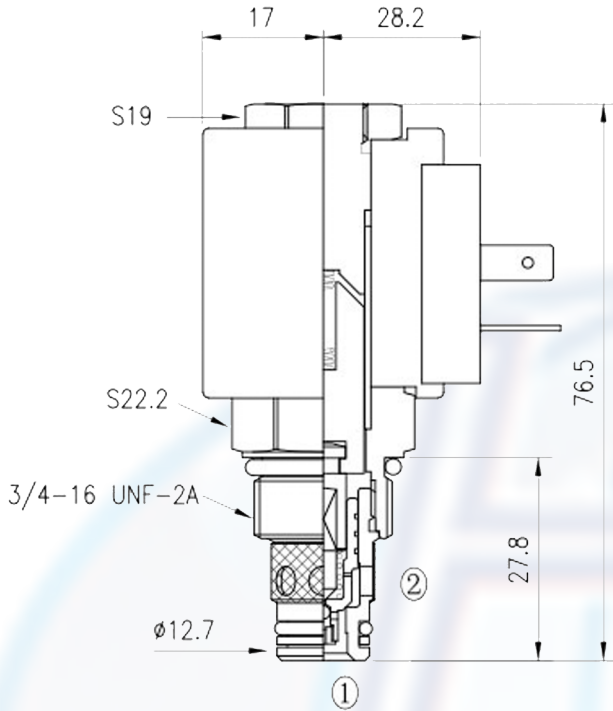




SV2 - 08 - 2NCRP

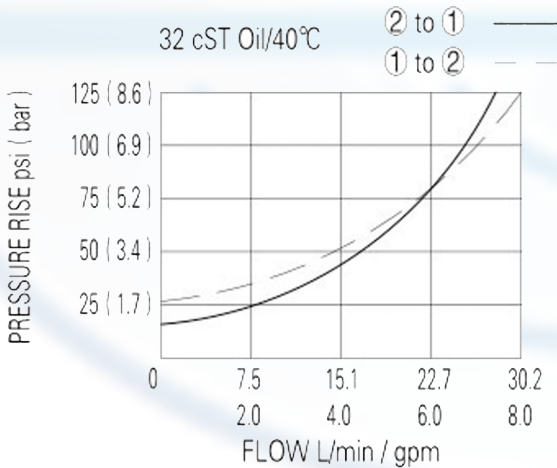


SPECIFICATION:

- Max working pressure: 250bar
- Flow max: see performant chart
- Internal leakage: 3 drops/min / 210bar
- Filtration of oil: 25m or better
- Temperature: -30 ~ +100c
- Cavity: 08 - 2
- Installatin: 25 ~ 28Nm
- Coil rating: 85% ~110%

Continuous from 85% to 110% of rated voltage

PERFORMANCE



When de-energized, the valve acts as a check valve, allowing flow from 1 to 2, while blocking flow from 2 to 1;
 When energized, allowing flow from 2 to 1 and 1 to 2

to order:

SV - 08 - 2NCRP - -

cavity
 function

coil connection:
 D = Double lead
 H = Hirschmann

voltage:
 12 = 12V DC
 24 = 24V DC
 110 = 110V AC
 220 = 220V AC