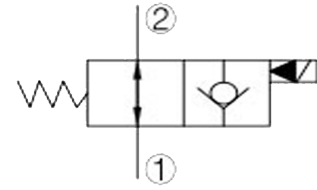
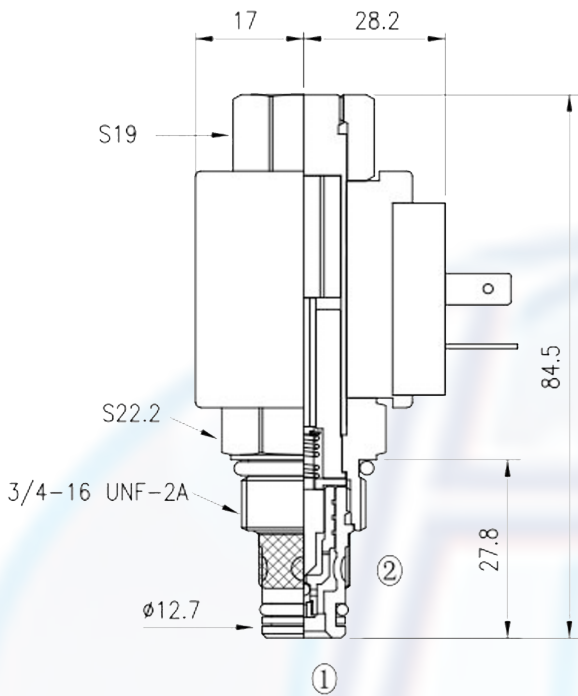




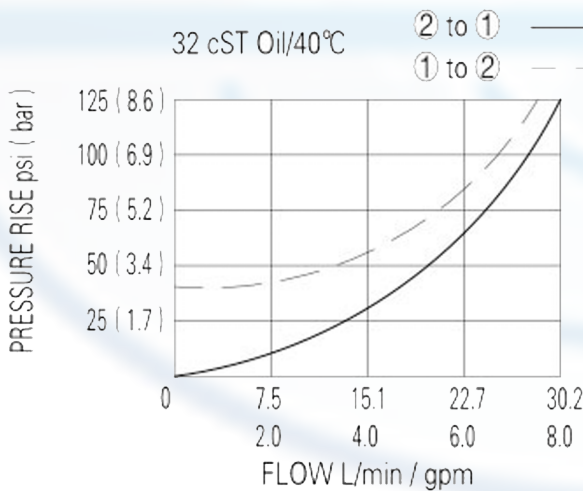
SV2 - 08 - 2NORP



SPECIFICATION:

- Max working pressure: 250bar
 - Flow max: see performant chart
 - Internal leakage: 3 drops/min / 210bar
 - Filtration of oil: 25m or better
 - Temperature: -30 ~ +100c
 - Cavity: 08 - 2
 - Installatin: 25 ~ 28Nm
 - Coil rating: 85% ~ 110%
- Continuous from 85% to 110% of rated voltage

PERFORMANCE



When energized, the valve acts as a check valve, allowing flow from 1 to 2, while blocking flow from 2 to 1;
 When de-energized, allowing flow from 2 to 1, and 1 to 2

to order: **SV2 - 08 - 2NORP**

cavity _____
 function _____

coil connection:
 D = Double Lead
 H = Hirschmann

voltage:
 12 = 12V DC
 24 = 24V DC
 110 = 110V AC
 220 = 220V AC