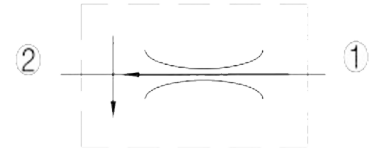
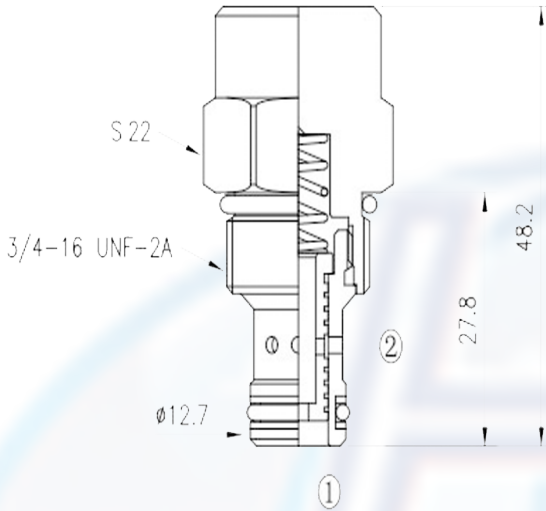


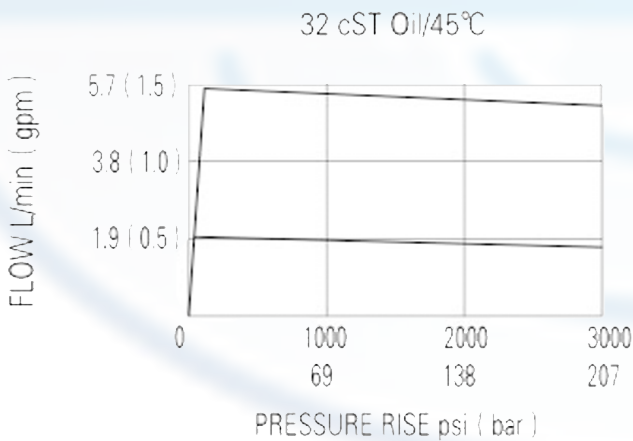
FR - 08



SPECIFICATION:

Max working pressure:	250bar
Flow settings:	0.4 ~ 7.5L/min
Filtration of oil:	25m or better
Temperature:	-30 ~ +110°C
Cavity:	08 - 2
Installatin torque:	25 ~ 28Nm

PERFORMANCE



The valve maintains a constant flow rate out of 2 feardless of load pressure changes in the circuit downstream of 1. the fixed control orifice is factory preset to load changes when the flow through the valve creates a pressure differential across the control orifice greater then 5.5bar, with accurate flow maintenance from 7.6 to 250bar. reverse flow (2 to 1) returns through the control orifice and is non-compensated

to order:

Regulator pres-
sure-compensated
valves (fixed orifice)
Cavity

FR - 08 -

FLOW MAINTENANCE:

0.4 to 7.5 L/min settings \pm 15%

specify, for example:

M1.8 = 1.8L/min

M 3.0 = 3.0L/min

etc.