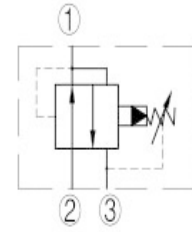
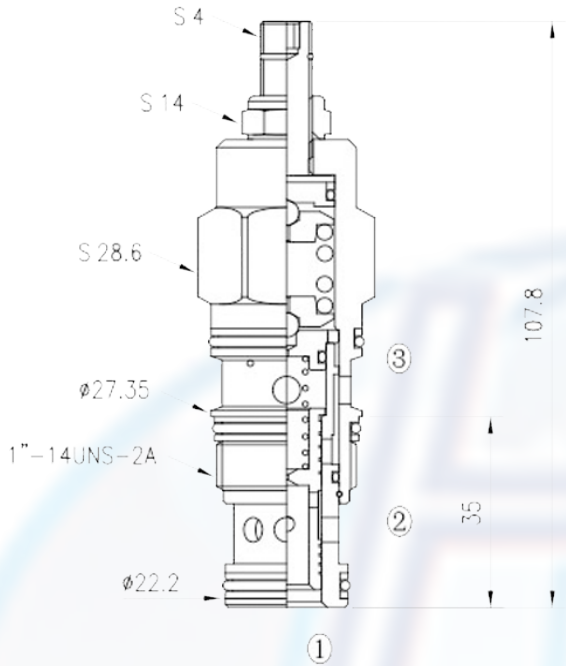


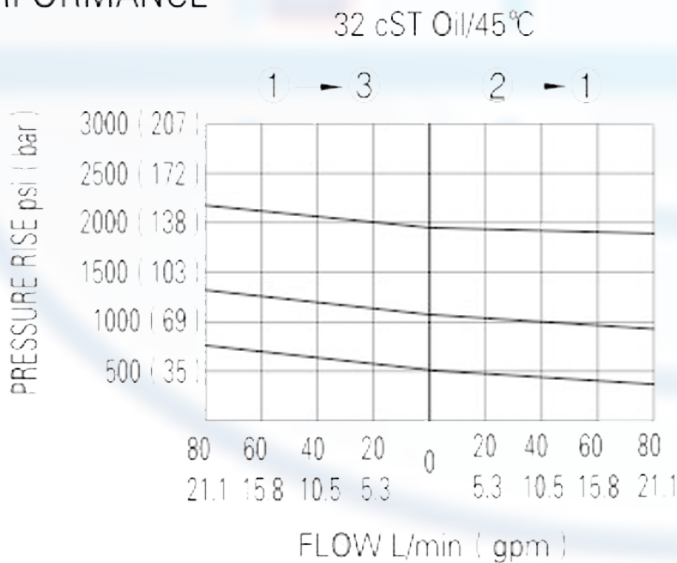
TPPFB- - -



SPECIFICATION:

- Max working pressure: 350bar
- Flow max: see performant chart
- Internal leakage: <250cc/min/210bar
- Filtration of oil: 25m or better
- Temperature: -30 ~ +110°C
- Cavity: T - 2A
- Installatin torque: 60 ~ 70Nm

PERFORMANCE



In its steady state, the valve allows flow to pass bi-directionally from 2 to 1, with the spring chamber constantly drained at 3.

On attainment of a pre-determined pressure at 1, the cartridge shifts to restrict input flow at 2, thereby regulating pressure at 1. In this mode, the valve will also relive 1 to 3 at over the reducing setting.

to order:

TPPFB - - -

Pilot-operated pressure reducing/relieving valves

L = standard screw adjustment

SPRING RANGE:

- A = 7 ~ 210bar
- B = 3.5 ~ 105bar
- N = 4 ~ 55bar
- Q = 4 ~ 25bar
- W = 10 ~ 315bar

factory pressure : 14 bar

SEAL KITS:

- N = buna
- V = viton