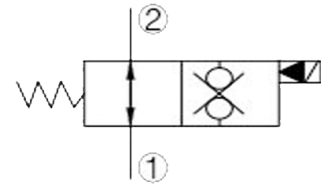
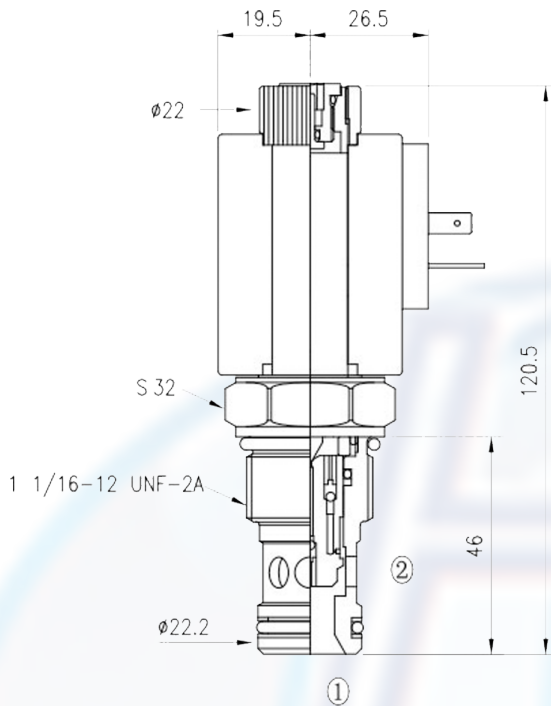




SV6 - 12 - 2NOSP - M

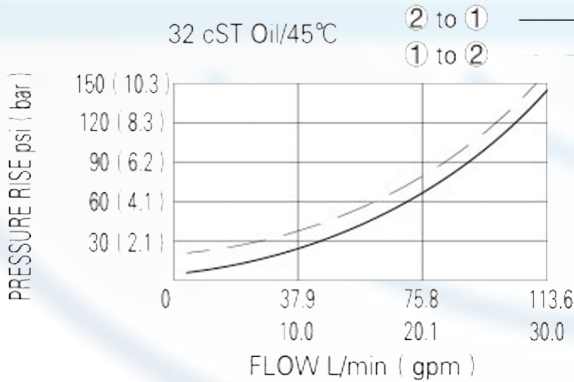


SPECIFICATION:

- Max working pressure: 250bar
- Flow max: see performant chart
- Internal leakage: 3 drops/min / 210bar
- Filtration of oil: 25m or better
- Temperature: -30 ~ +100°c
- Cavity: 12 - 2
- Installatin: 45 ~ 50Nm
- Coil rating: 85% ~110%

Continuous from 85% to 110% of rated voltage

PERFORMANCE



When energized, the valve blocks flow in both directions.
 when de-energized, allowing flow from 2 to 1 and 1 to 2.

to order:

SV6 - 12 - 2NCSP - M - -

cavity

function

Manual Override

voltage:

- 12 = 12V DC
- 24 = 24V DC
- 110 = 110V AC
- 220 = 220V AC

coil connection:

- D = Double Lead
- H = Hirschmann