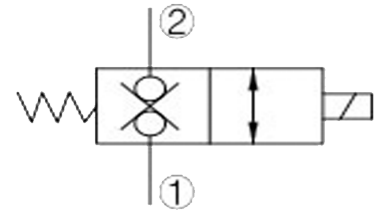
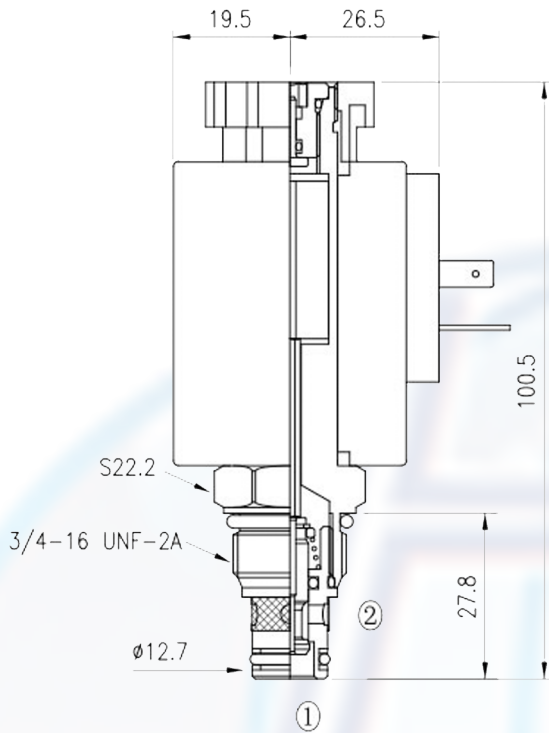




# SV - 08 - 2NCSPL - M

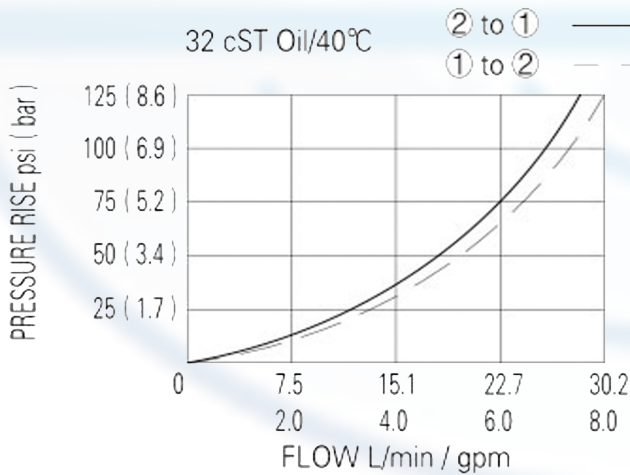


### SPECIFICATION:

- Max working pressure: 250bar
- Flow max: see performant chart
- Internal leakage: 1 drops/min / 210bar
- Filtration of oil: 25m or better
- Temperature: -30 ~ +100°C
- Cavity: 08 - 2
- Installatin: 25 ~ 28Nm
- Coil rating: 85% ~110%

Continuous from 85% to 110% of rated voltage

### PERFORMANCE



When de-energized, the valve blocks flow in both directionals, when energized, allowing flow from 2 to 1 and 1 to 2

to order: **SV - 08 - 2NCSPL - M**

cavity \_\_\_\_\_

function \_\_\_\_\_

Manual override \_\_\_\_\_



### voltage:

- 12 = 12V DC
- 24 = 24V DC
- 110 = 110V AC
- 220 = 220V AC

### coil connection:

- D = Double Lead
- H = Hirschmann