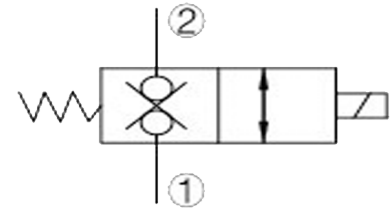
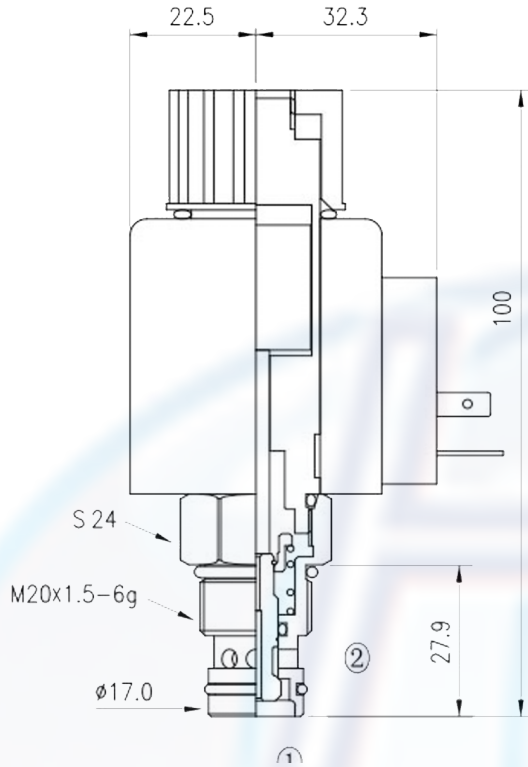




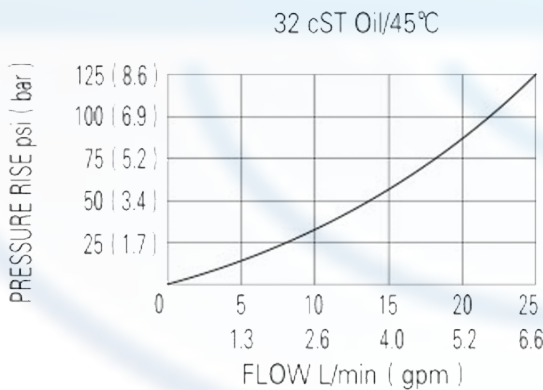
# SV6 - 10C - 2NCSP



### SPECIFICATION:

- Max working pressure: 210bar
  - Flow max: see performant chart
  - Internal leakage: 2 drops/min / 210bar
  - Filtration of oil: 25m or better
  - Temperature: -30 ~ +100°C
  - Cavity: 10C - 2
  - Installatin: 34 ~ 37Nm
  - Coil rating: 85% ~ 110%
- Continuous from 85% to 110% of rated voltage

### PERFORMANCE



When de-energized, the valve blocks flow in both directionals.  
 when energized, allowing flow from 2 to 1 and 1 to 2.

to order:

SV2 - 10C - 2NCSP



voltage:

- 12 = 12V DC
- 24 = 24V DC
- 110 = 110V AC
- 220 = 220V AC

cavity

function

coil connection:

- D = Double Lead
- H = Hirschmann