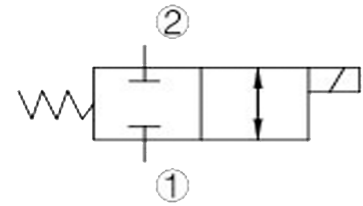
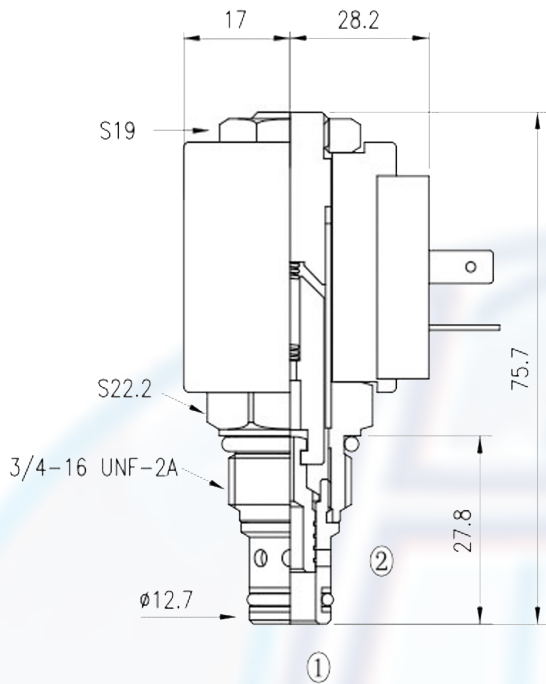




SV2 - 08 - 2NCS

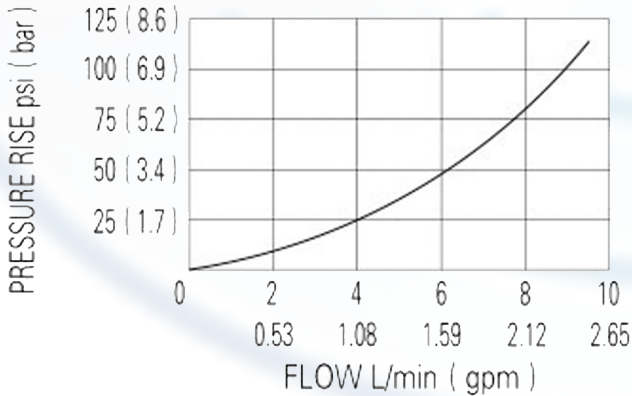


SPECIFICATION:

- Max working pressure: 210bar
 - Flow max: see performant chart
 - Internal leakage: <82cc/min / 210bar
 - Filtration of oil: 25m or better
 - Temperature: -30 ~ +100°C
 - Cavity: 08 - 2
 - Installatin: 25 ~ 28Nm
 - Coil rating: 85% ~110%
- Continuous from 85% to 110% of rated voltage

PERFORMANCE

32 cST Oil/40°C



When de-energized, the valve blocks flow in both directionals, when energized, allowing flow from 2 to 1 and 1 to 2

to order:

SV2 - 08 - 2NCS - -

cavity
function

coil connection:
D = Double Lead
H = Hirschmann

voltage:
12 = 12V DC
24 = 24V DC
110 = 110V AC
220 = 220V AC