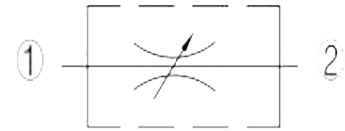
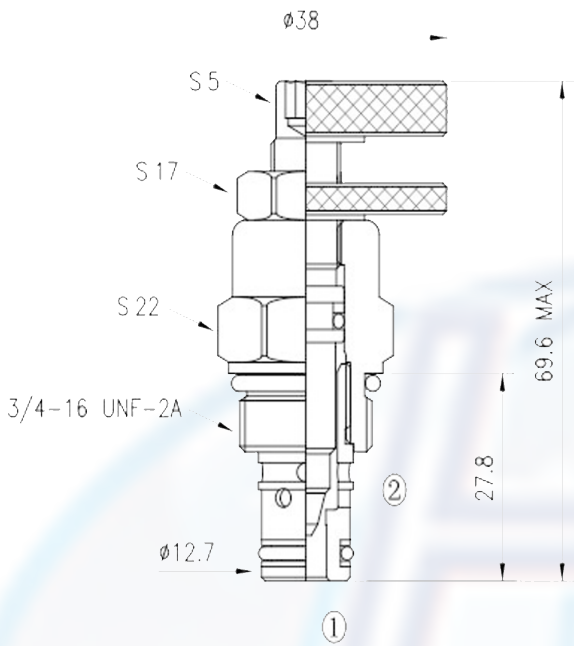


NV2 - 08



SPECIFICATION:

Max working pressure:	250bar
Flow max:	see performant chart
Internal leakage:	3 drops/min
Filtration of oil:	25m or better
Temperature:	-30 ~ +110°C
Cavity:	08 - 2
Installatin torque:	25 ~ 28Nm

PERFORMANCE

