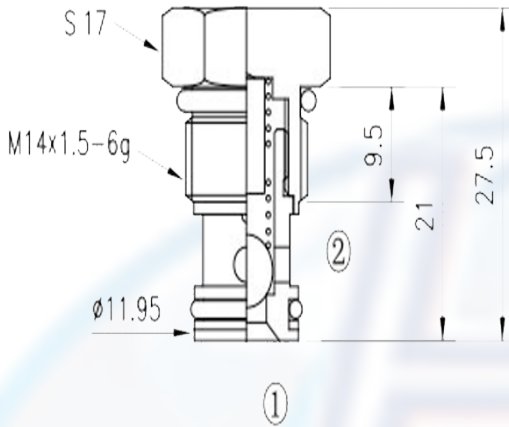
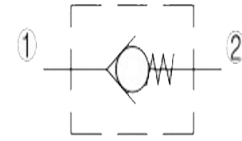


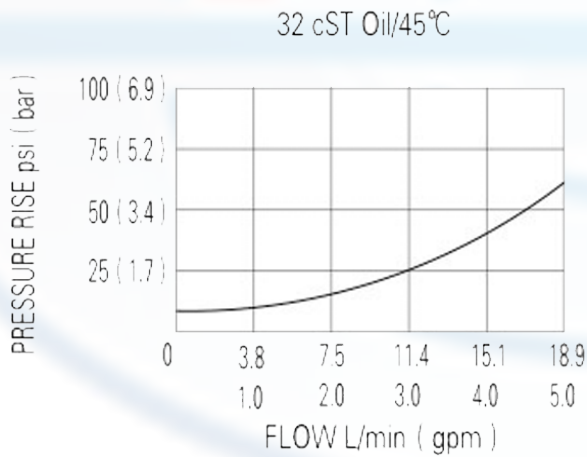
CV - 04 - B



SPECIFICATION:

- Max working pressure: 210bar
- Flow max: see performant chart
- Internal leakage: 3 drops/min / 210bar
- Filtration of oil: 25m or better
- Temperature: -30 ~ +110°C
- Cavity: 04B - 2
- Installatin torque: 20 ~ 23Nm

PERFORMANCE



Pressure at 1 overcomes the spring-bias ball and allows free flow 1 to 2.
 Flow in the opposite direction, from 2 to 1, is blocked by the ball

to order:

