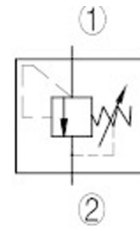
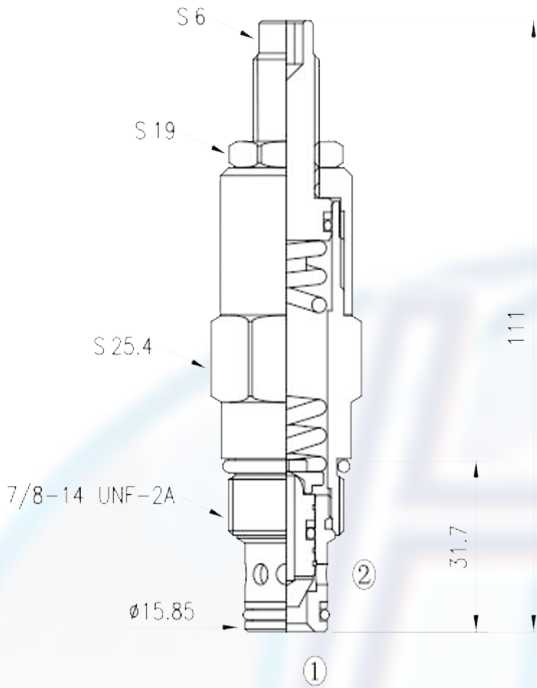


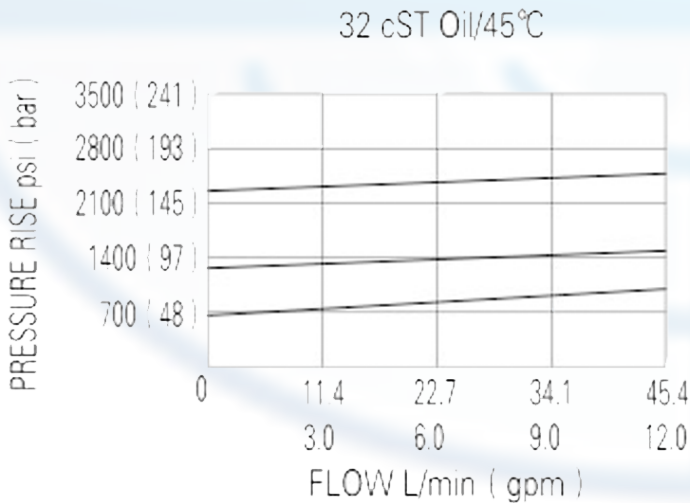
# ADRV2 - 10 -



**SPECIFICATION:**

Max working pressure:	210bar
Flow max:	see performant chart
Internal leakage:	<10cc/min/220bar
Filtration of oil:	25m or better
Temperature:	-30 ~ +110°C
Cavity:	10 - 2
Installatin torque:	35 ~ 40Nm

**PERFORMANCE**



The valve prevents flow from 1 to 2 until the set crack pressure at 1 is achieved.

The poppet then unseats allowing flow from 1 to 2 protecting the circuit from over pressurization.

to order:

ADRV2 - 10 -

Directly operated relief valves

Cavity

PRESS RANGE:

08 = 10 ~ 80bar, preset : 40bar

16 = 20 ~ 161bar, preset : 80bar

24 = 30 ~ 240bar, preset : 160bar