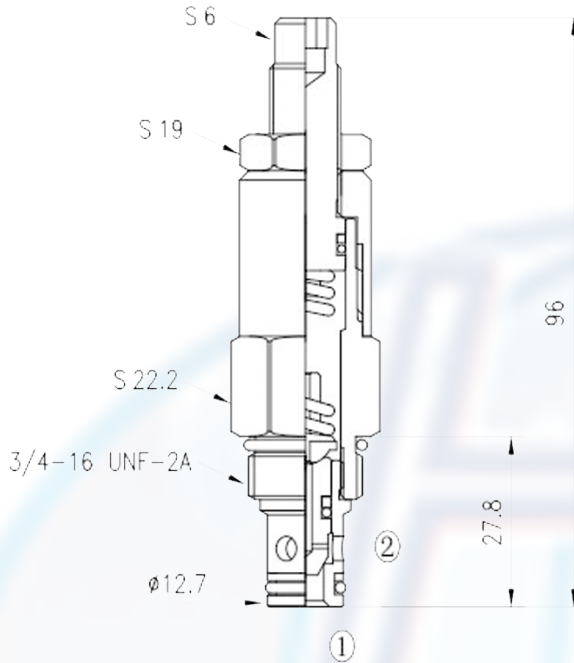
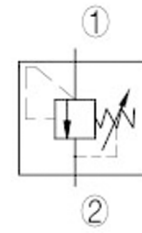


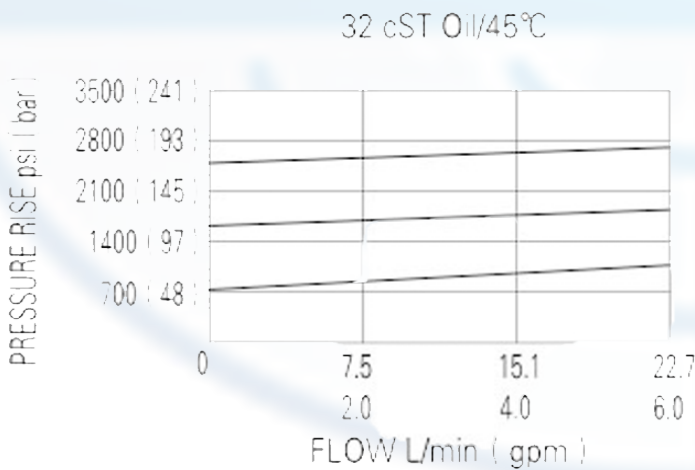
ADRV2 - 08 -



SPECIFICATION:

Max working pressure:	250bar
Flow max:	see performant chart
Internal leakage:	<10cc/min/250bar
Filtration of oil:	25m or better
Temperature:	-30 ~ +110°C
Cavity:	08 - 2
Installatin torque:	28 ~ 31Nm

PERFORMANCE



The valve prevents flow from 1 to 2 until the set crack pressure at 1 is achieved.

The poppet then unseats allowing flow from 1 to 2 protecting the circuit from over pressurization.

to order:

ADRV2 - 08 -

Directly operated relief valves

Cavity

PRESS RANGE:

08 = 15 ~ 28bar, preset : 50bar

16 = 32 ~ 160bar, preset : 80bar

25 = 90 ~ 250bar, preset : 160bar