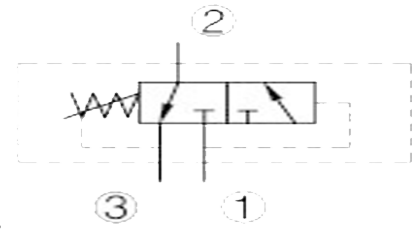
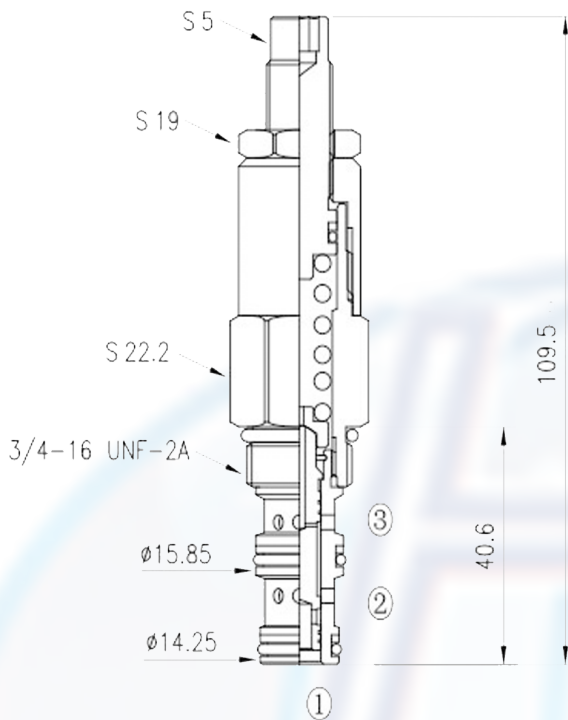


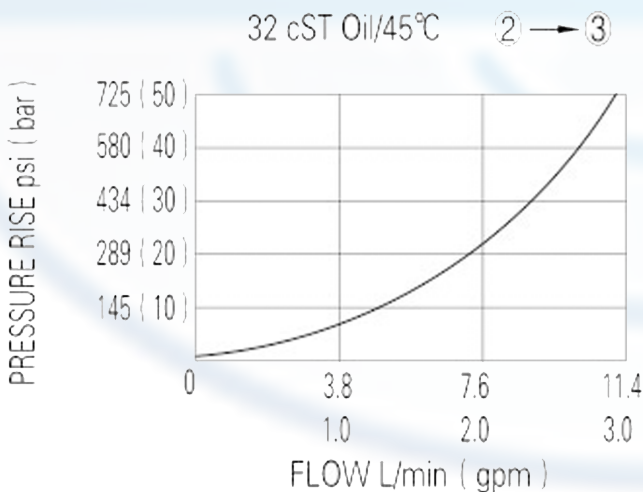
PS - 08



SPECIFICATION:

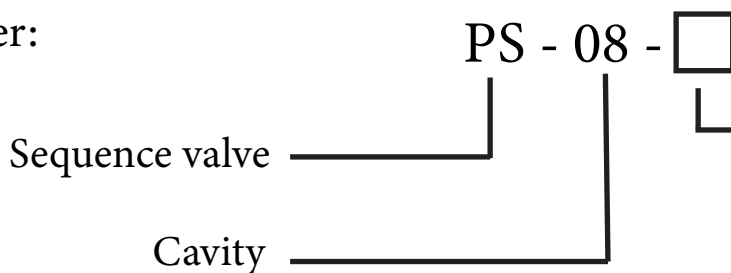
- Max working pressure: 240bar
- Flow max: see performant chart
- Internal leakage: <70cc/min/207bar
- Filtration of oil: 25m or better
- Temperature: -30 ~ +110°C
- Cavity: 08 - 3
- Installatin torque: 25 ~ 28Nm

PERFORMANCE



In its steady state, the valve blocks flow at 1, while allowing flow to pass from 2 to 3. On attainment of a pre-determined pressure at 1, the cartridge shifts to open at 1 to 2.

to order:



PRESS RANGE:

- 05 = 5 ~ 28bar, preset : 14bar
- 10 = 12 ~ 85bar, preset : 55bar
- 15 = 25 ~ 150bar, preset : 80bar