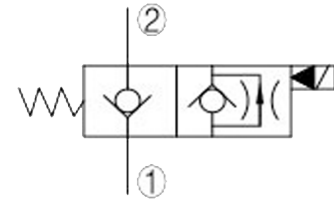
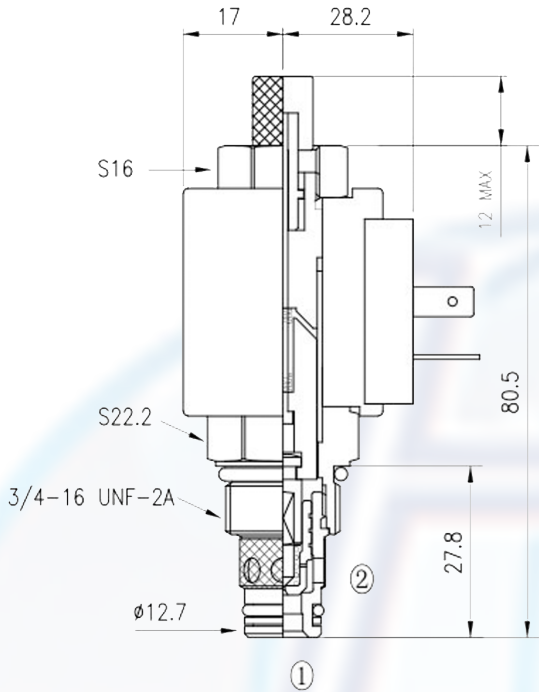


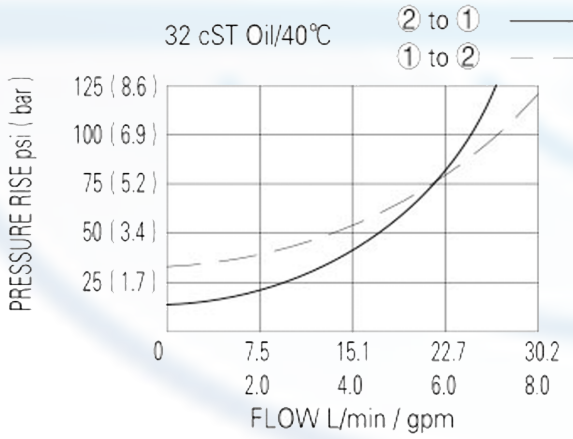
SV2 - 08 - 2NCP - M



SPECIFICATION:

- Max working pressure: 250bar
 - Flow max: see performant chart
 - Internal leakage: 3 drops/min / 210bar
 - Filtration of oil: 25m or better
 - Temperature: -30 ~ +100c
 - Cavity: 08 - 2
 - Installatin: 25 ~ 28Nm
 - Coil rating: 85% ~110%
- Continuous from 85% to 110% of rated voltage

PERFORMANCE



When de-energized, the valve acts as a check valve, allowing flow from 1 to 2, while blocking flow from 2 to 1;
 When energized, allowing flow from 2 to 1 and 1 to 2 is severely restricted. to override, push button in, twist counter - clockwise 90° and release, the valve will remain open; push button in twist clockwise 90° and release, the valve will remain close

to order: **SV - 08 - 2NCP - M** - -

cavity _____

function _____

manual override _____

- voltage:
- 12 = 12V DC
 - 24 = 24V DC
 - 110 = 110V AC
 - 220 = 220V AC

coil connection:
 D = Double lead
 H = Hirschmann