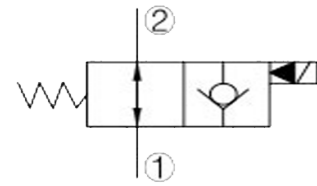
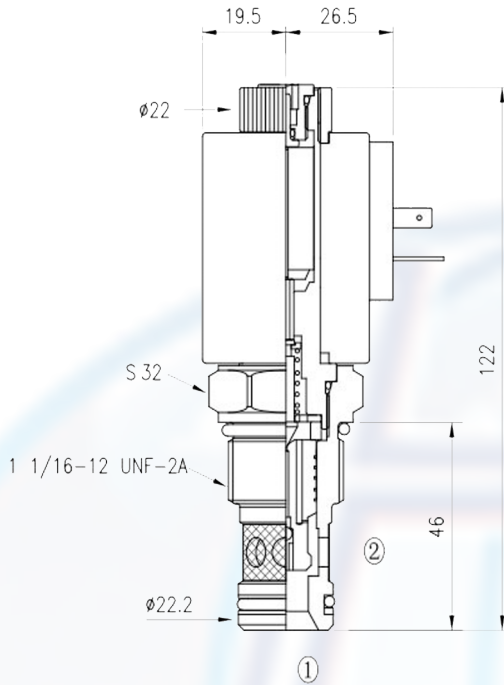


SV6 - 12 - 2NORP - M

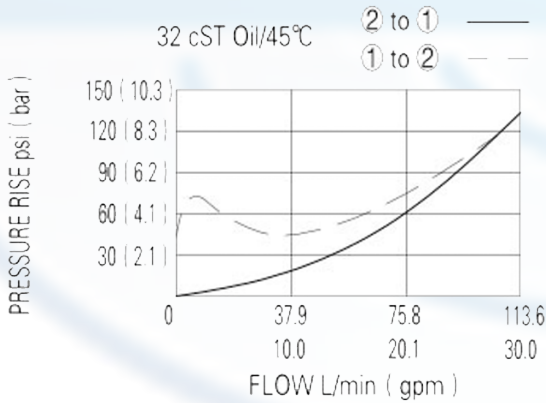


SPECIFICATION:

- Max working pressure: 250bar
- Flow max: see performant chart
- Internal leakage: 3 drops/min / 210bar
- Filtration of oil: 25m or better
- Temperature: -30 ~ +100°c
- Cavity: 12 - 2
- Installatin: 45 ~ 50Nm
- Coil rating: 85% ~110%

Continuous from 85% to 110% of rated voltage

PERFORMANCE



When energized, the valve acts as a check valve, allowing flow from 1 to 2, while blocking flow from 2 to 1; when de-energized, allowing flow from 2 to 1, and 1 to 2.

to order: **SV6 - 12 - 2NORP - M** - - voltage:
 cavity _____ 12 = 12V DC
 function _____ 24 = 24V DC
 Manual Override _____ 110 = 110V AC
 _____ 220 = 220V AC

coil connection:
 D = Double Lead
 H = Hirschmann