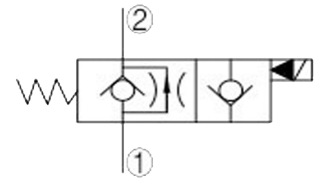
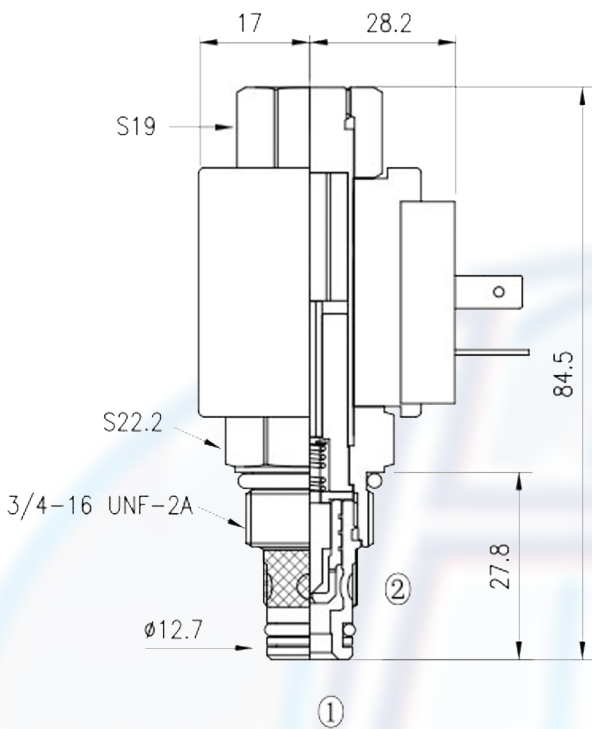




SV2 - 08 - 2NOP

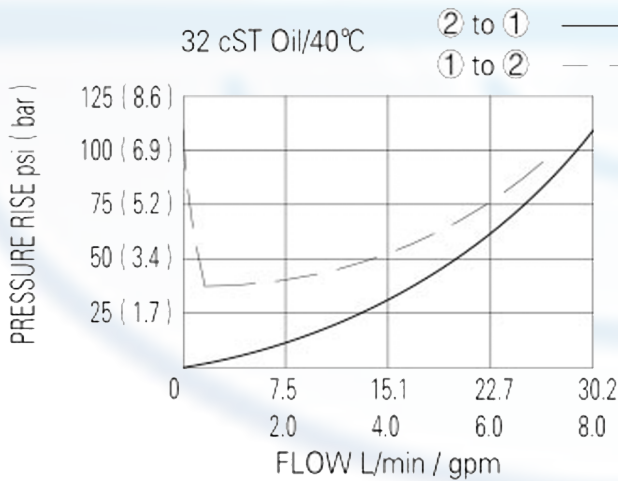


SPECIFICATION:

- Max working pressure: 250bar
- Flow max: see performant chart
- Internal leakage: 3 drops/min / 210bar
- Filtration of oil: 25m or better
- Temperature: -30 ~ +100c
- Cavity: 08 - 2
- Installatin: 25 ~ 28Nm
- Coil rating: 85% ~ 110%

Continuous from 85% to 110% of rated voltage

PERFORMANCE



② to ① — When energized, the valve acts as a check valve, allowing flow from 1 to 2, while blocking flow from 2 to 1;
 ① to ② - - - When de-energized, allowing flow from 2 to 1, while 1 to 2 is severly restricted.

to order: **SV6 - 08 - 2NCP** - -

cavity _____

function _____

coil connection: H = Hirschmann

- voltage:
- 12 = 12V DC
 - 24 = 24V DC
 - 110 = 110V AC
 - 220 = 220V AC