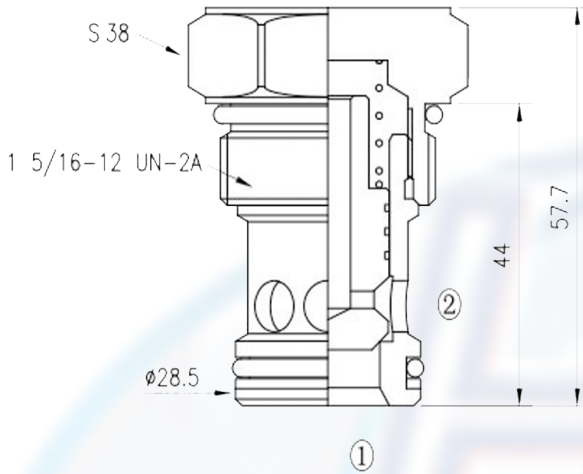
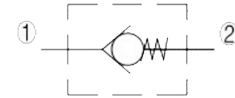




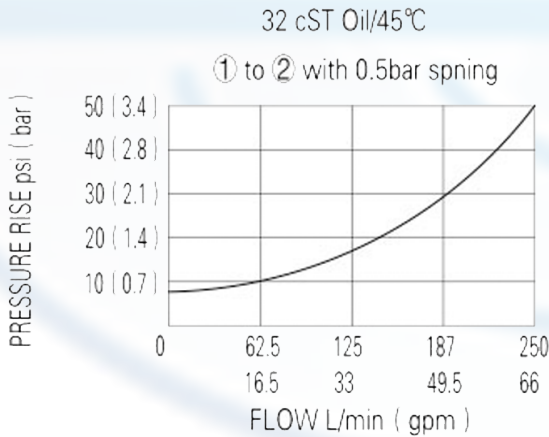
# CV - 16 - P



### SPECIFICATION:

Max working pressure:	250bar
Flow max:	see performant chart
Internal leakage:	5 drops/min / 250bar
Filtration of oil:	25m or better
Temperature:	-30 ~ +110°C
Cavity:	16 - 2
Installatin torque:	65 ~ 75Nm

### PERFORMANCE



Pressure at 1 overcomes the spring-bias ball and allows free flow 1 to 2.  
Flow in the opposite direction, from 2 to 1, is blocked by the ball

to order:

