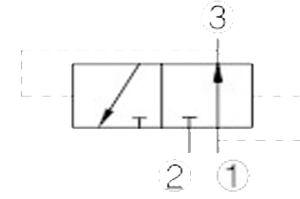
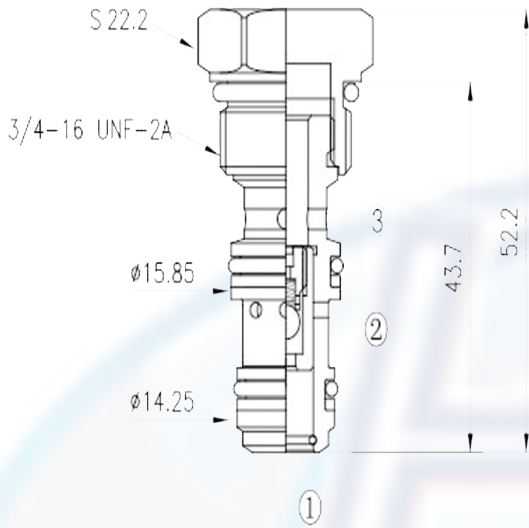




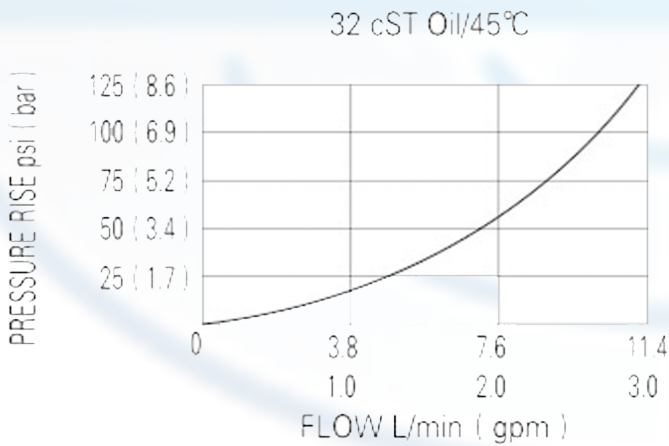
LS2 - 08



SPECIFICATION:

- Max working pressure: 240bar
- Flow max: see performant chart
- Internal leakage: <86cc/min/210bar
- Filtration of oil: 25m or better
- Temperature: -30 ~ +110°C
- Cavity: 08 - 3
- Installatin torque: 25 ~ 28Nm

PERFORMANCE



When 1 port pressure more then 3 port, the valve will allow flow from 1 port to the 3 port; on the contrary, the 3 to 2.

to order:

