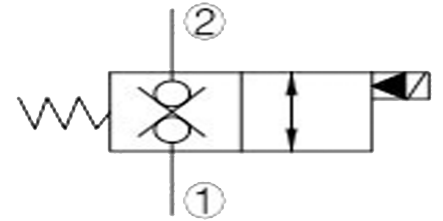
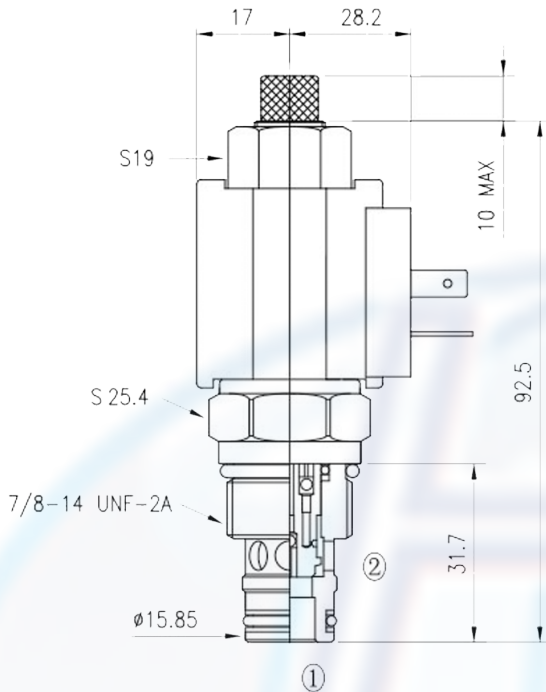




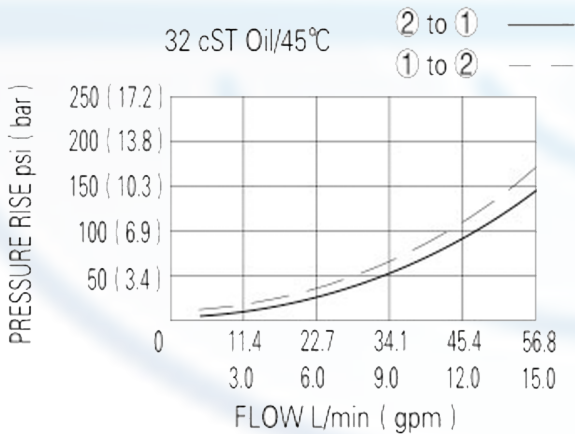
SV6 - 10 - 2NCSP - M



SPECIFICATION:

- Max working pressure: 250bar
 - Flow max: see performant chart
 - Internal leakage: 3 drops/min / 210bar
 - Filtration of oil: 25m or better
 - Temperature: -30 ~ +100°C
 - Cavity: 10 - 2
 - Installatin: 34 ~ 37Nm
 - Coil rating: 85% ~110%
- Continuous from 85% to 110% of rated voltage

PERFORMANCE



When de-energized, the valve blocks flow in both directionals, when energized, allowing flow from 2 to 1 and 1 to 2.

to order: **SV2 - 10 - 2NCSP - M** - -

cavity _____

function _____

Manual Override _____

voltage:
 12 = 12V DC
 24 = 24V DC
 110 = 110V AC
 220 = 220V AC

coil connection:
 D = Double Lead
 H = Hirschmann