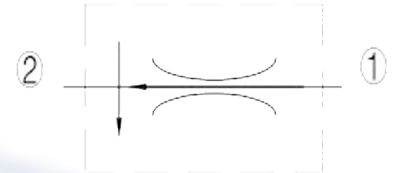


# IFC - -

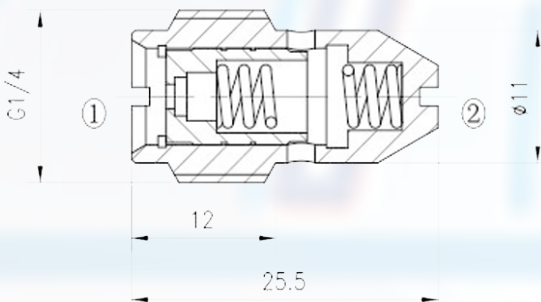
## WORKING POSITION:

the valve maintains a constant flow rate out of 2 regardless of load pressure changes in the circuit downstream of 1. the fixed control orifice is factory preset to customer flow specification.

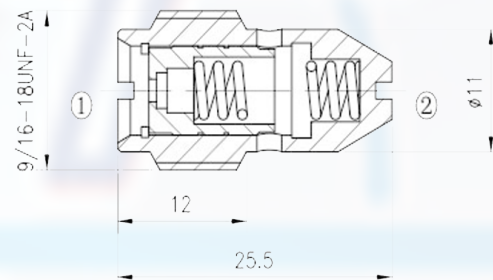
Reverse flow (2 to 1) returns through the control orifice and is non-compensated



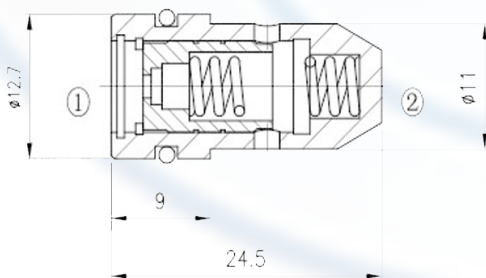
Ports: IFC - G1/4



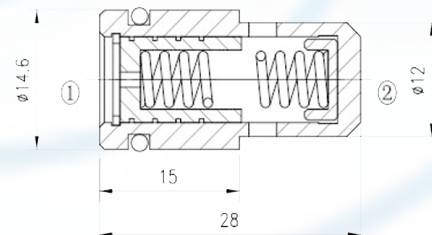
Ports: IFC - 9/16 - 18



Ports: IFC - Ø12.7



Ports: IFC - Ø14.6



to order:



- FLOW:**  
 M1.4 = 1.4 L/min  
 M2.0 = 2.0 L/min  
 M3.0 = 3.0 L/min  
 M4.8 = 4.8 L/min  
 M6.0 = 6.0 L/min  
 M7.9 = 7.9 L/min